

Catch Pits

Pg 1 of 2

Details

Concrete Strength: 6500 psi (45 MPa) @ 28 Days
Air Entraining: 5 - 7%

Reinforcement: 10mm Rebar
Structural Fiber
4x4x4/8 Welded Wire Mesh
#6 Wire

Options

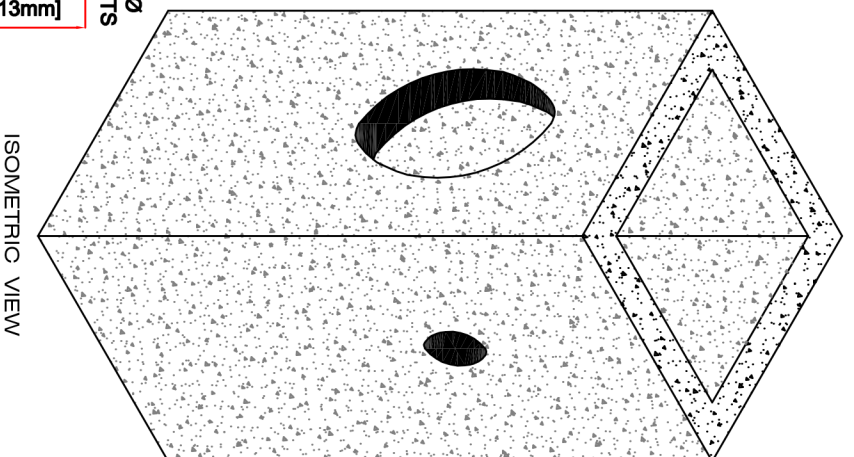
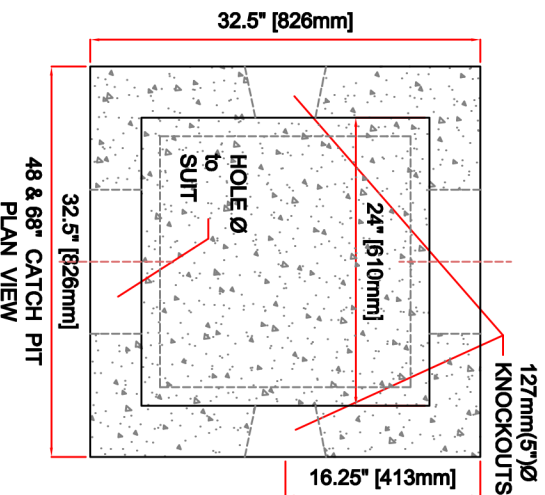
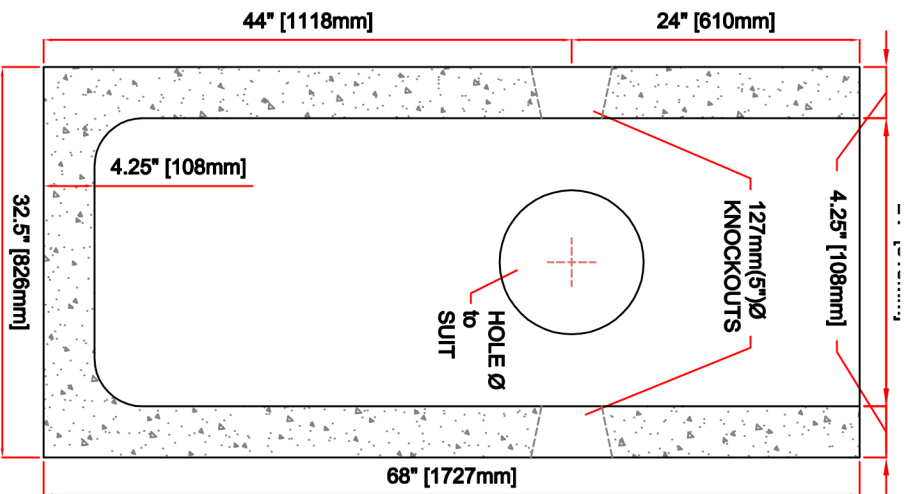
Pit Depth: 1219mm (48") and 1727mm (68")
Hole Size: Standard 305mm (12") or 381mm (15")
Custom Sizes Available

Risers Available:
76mm (3")
152mm (6")
229mm (9")
305mm (12")
Custom Heights

Other Notes

ISLAND
CONCRETE PRODUCTS LTD.
SYDNEY SITE
517 KELTIC DR.
Phone: 902-562-2426
PORT HASTINGS SITE
522 Hwy 105
Toll Free: 1-855-562-2426

BROOKFIELD
CONCRETE PRODUCTS LTD.
P. O. BOX 37, 778 Hwy 2
BROOKFIELD, N. S.
B0N 1C0
Phone: 902-673-2225
Toll Free: 1-888-705-2225
Fax: 902-673-2255



DATE: March 2016
SCALE: 3/4" = 1'-0"
PROJECT: LOCATION:
Sheet # of

Brookfield Concrete Products Ltd.
Your Pre-cast Specialists

e-mail: info@brookfieldconcrete.ca

Island Concrete Products Ltd.
Sydney / Port Hastings

e-mail: info@islandconcreteproducts.ca