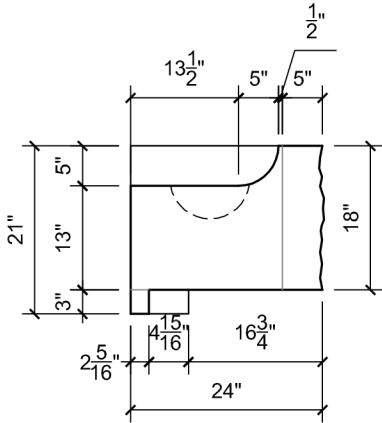
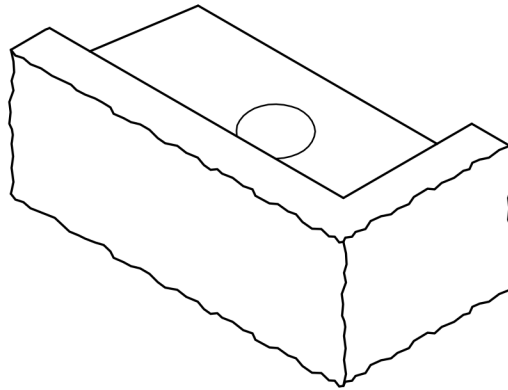


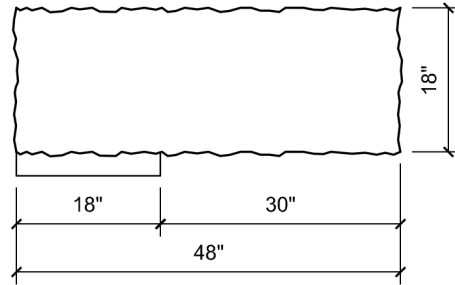
RIGHT TOP



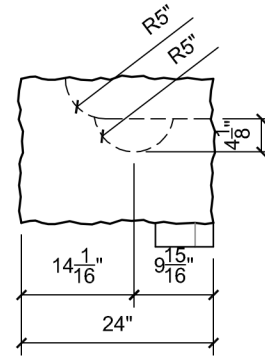
VOLUME: 9.73 CF
 WEIGHT: 1362 LBS
 CENTER OF GRAVITY: 11.31 IN



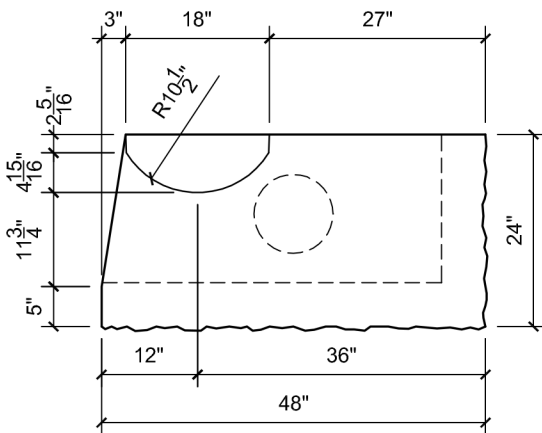
LEFT END VIEW



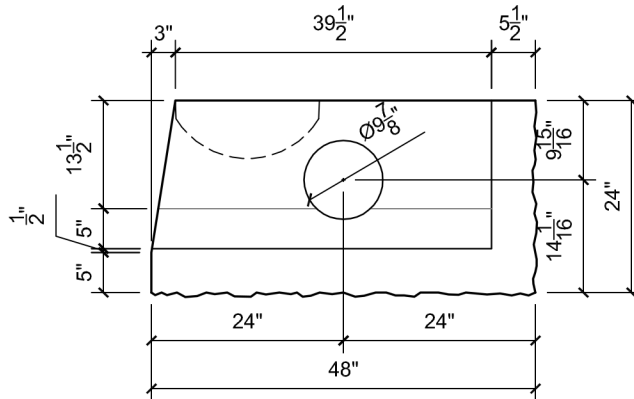
FRONT VIEW



RIGHT END VIEW



BOTTOM VIEW



TOP VIEW

BLOCK PROPERTIES

NOTES:

1. VOLUME CALCULATIONS ARE BASED ON BLOCK AS SHOWN.
2. CENTER OF GRAVITY MEASURED FROM FRONT FACE OF BLOCK.
3. WEIGHT IS BASED ON 140 PCF CONCRETE.
4. ACTUAL WEIGHT, VOLUME AND CENTER OF GRAVITY CAN VARY.
5. CHECK WITH LOCAL BIG BLOCK™ REP FOR AVAILABILITY OF BLOCK AS SHOWN.